

# GOLA 8100, Sgl Finger Pull, 3900mm, SC

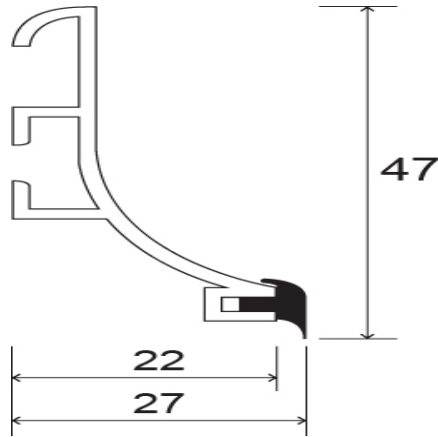


Code 1416 AL

## Product Overview

Code:	1416 AL
Handle Type:	Extrusion Handles
Handle Length (mm):	3900
Handle Height (mm):	45
Handle Depth (mm):	26
Handle Finish:	Anodised
Material:	Aluminium

## Installation measurements



## Suggested accessories



No Image

GOLA SU105, Connector



No Image

GOLA SU106, Connector



No Image

GOLA TG104, PAIR End Caps



No Image

GOLA AG137, Internal/External Corner