

Montana 1000-15, Satin

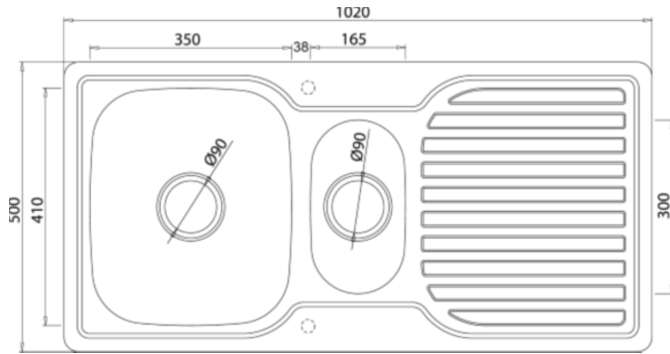


Code 9522 SA

Product Overview

Overall sink size:	1020mm x 500mm
Bowl dimension:	350mm x 410mm, 165mm x 300mm
Bowl depth:	130mm
Bowl radius:	100mm
Reversible:	Yes
Cut out size:	988mm x 468mm
Min cabinet size:	600mm
Installation:	Overmount, Undermount
Material:	Stainless Steel
Material Grade:	18/10.304 Stainless Steel

Installation measurements



Production information

Code:	9202 CH
Tap Pressure:	All pressures
WELS rating:	3 Star
Warranty:	5 years
Tap swivel spout:	360°
Cartridge:	Ceramic-Disc Cartridge
Assembled:	New Zealand
Material:	Brass

WELS rating

WATER RATING

Water Consumption
9
litres per minute

When tested in accordance with AS/NZS 6400

mains pressure

www.waterefficiency.govt.nz

WATER RATING

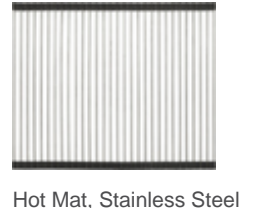
Water Consumption
9
litres per minute

When tested in accordance with AS/NZS 6400

low/unequal pressure

www.waterefficiency.govt.nz

Included accessories



Suggested accessories

